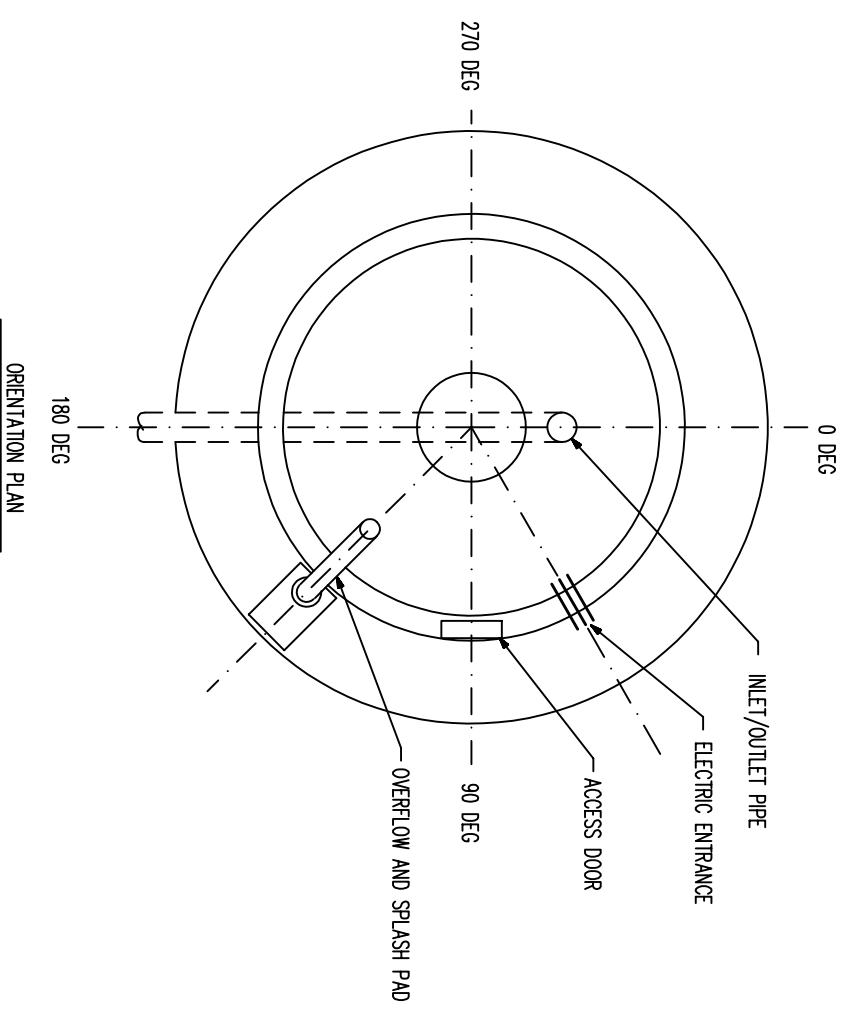
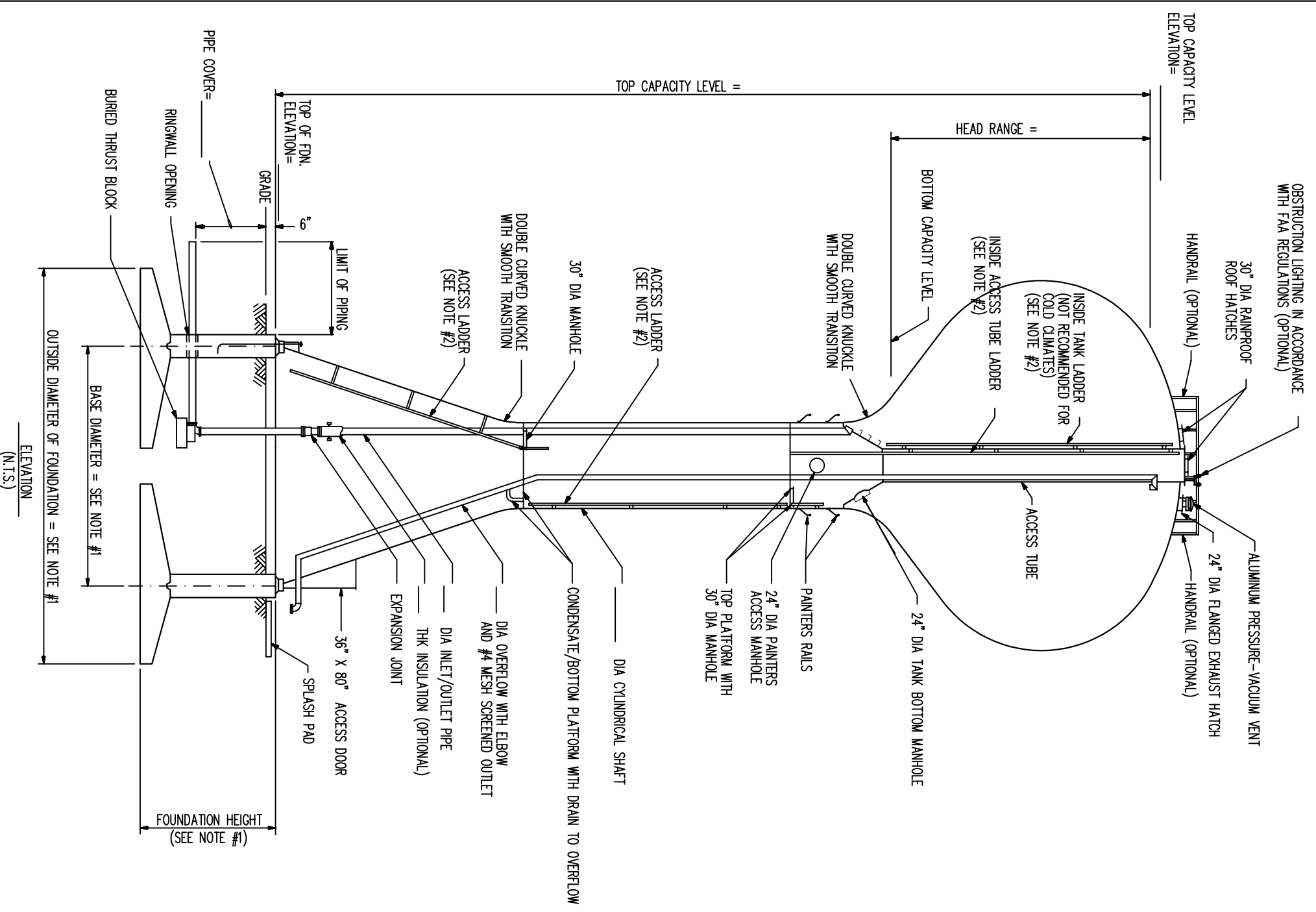


CBS&I	
ELEVATION ELEVATED WATER STORAGE TANK WATERSPHEROID ®	
PROJECT NO.	GALLON CAPACITY
BY _____ DATE _____	DWG. _____
CHKD _____ DATE _____	REV. _____



AZIMUTH	DESCRIPTION
	NORTH ARROW
	ELECTRIC ENTRANCE
	OVERFLOW SPLASH PAD
	ACCESS DOOR
	INLET/OUTLET PIPE
	SIGN/LOGO

GENERAL NOTES

1. BASE DIAMETER AND DIMENSIONS OF FOUNDATION SHALL BE DETERMINED BY THE TANK CONTRACTOR BASED UPON THE INFORMATION IN THE GEOTECHNICAL REPORT.
2. A GALVANIZED LADDER SAFETY DEVICE MEETING OSHA STANDARDS SHALL BE PROVIDED WHEN REQUIRED.
3. SEE SPECIFICATIONS FOR OPTIONAL ACCESSORIES AND ALTERNATE ITEMS.

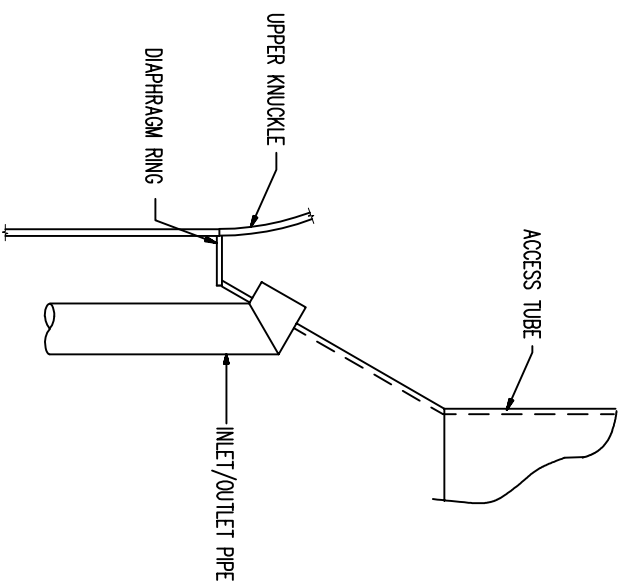
GENERAL PLAN
ELEVATED WATER STORAGE TANK
WATERSPHEROID®

_____ GALLON CAPACITY

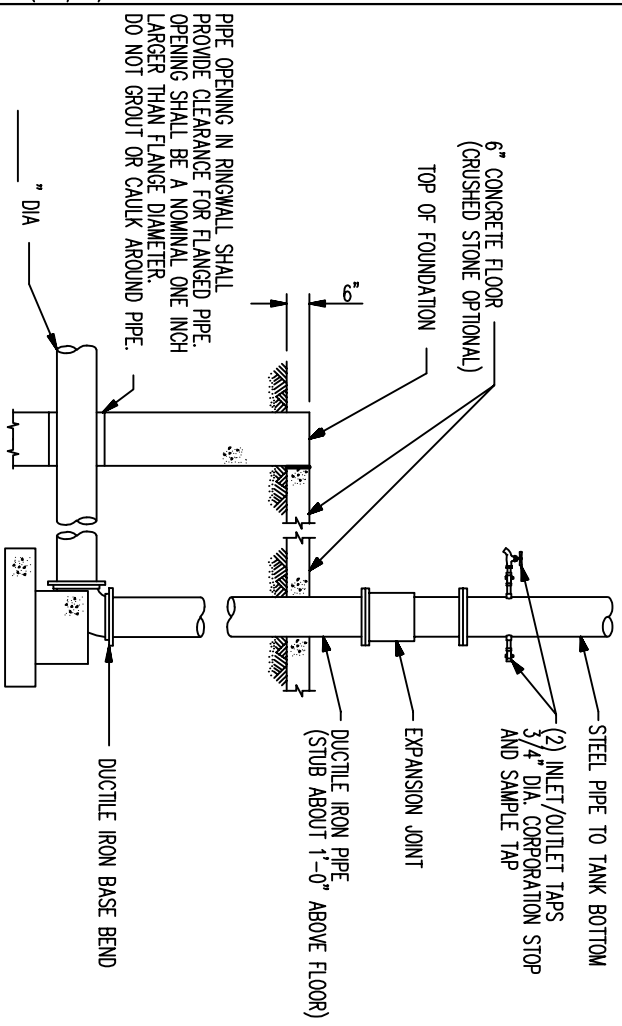
PROJECT NO. _____

BY _____ DATE _____	PROJECT NO. _____
CHKD _____ DATE _____	DWG. _____ REV. _____

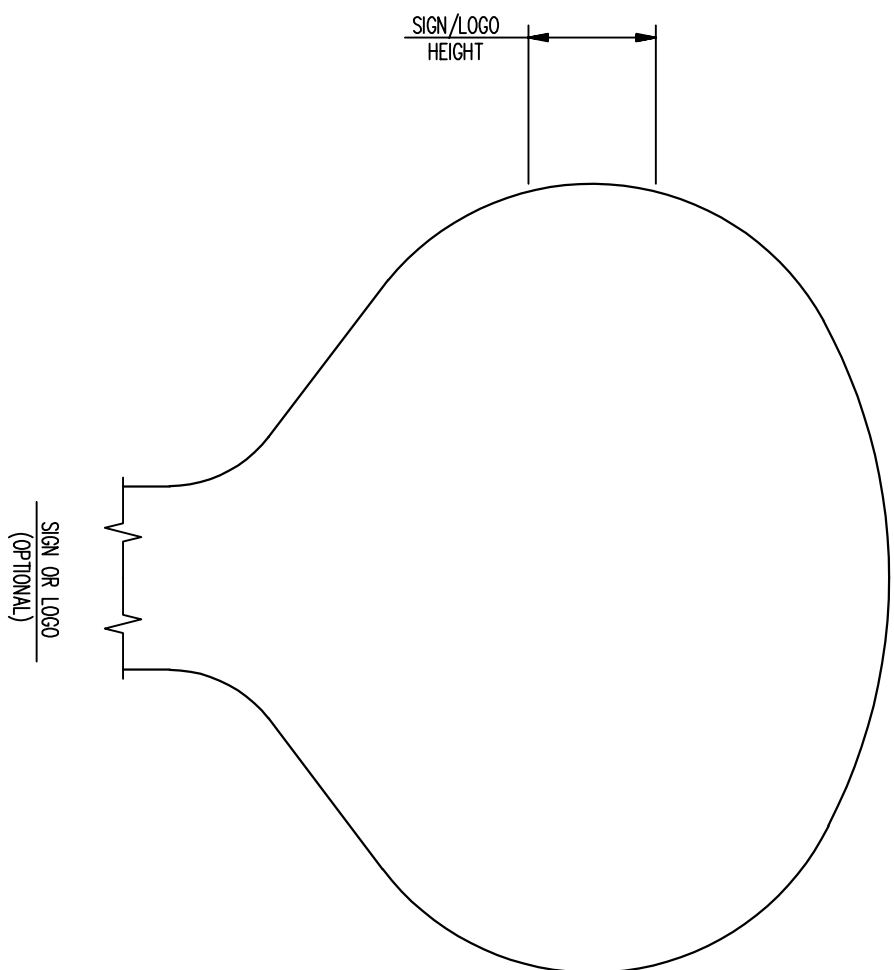
90100002 REV 6(JAN/07)



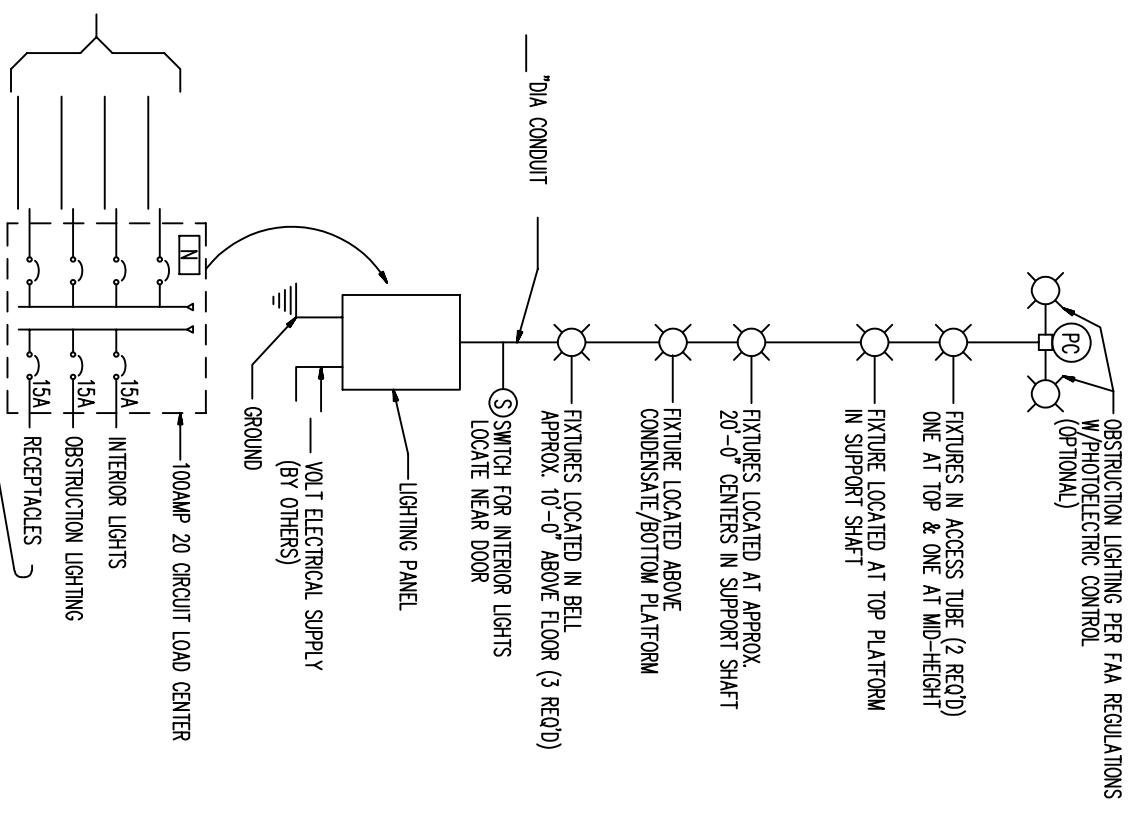
INLET/OUTLET PIPE



BURIED THRUST BLOCK DETAIL (N.T.S.)



MINIMUM 4 SPARE CIRCUITS



- ① ONE AT LOAD CENTER 48" ABOVE FLOOR
- ② ONE ABOVE CONDENSATE/BOTTOM PLATFORM
- ③ ONE ABOVE TOP PLATFORM
- ④ ONE IN ACCESS TUBE NEAR TOP HATCH

ELECTRICAL SCHEMATIC

CB&I	
DETAILS ELEVATED WATER STORAGE TANK WATERSPHEROID®	
_____ GALLON CAPACITY	
BY _____ DATE _____	PROJECT NO. _____
CHKD _____ DATE _____	DWG. _____ REV. _____