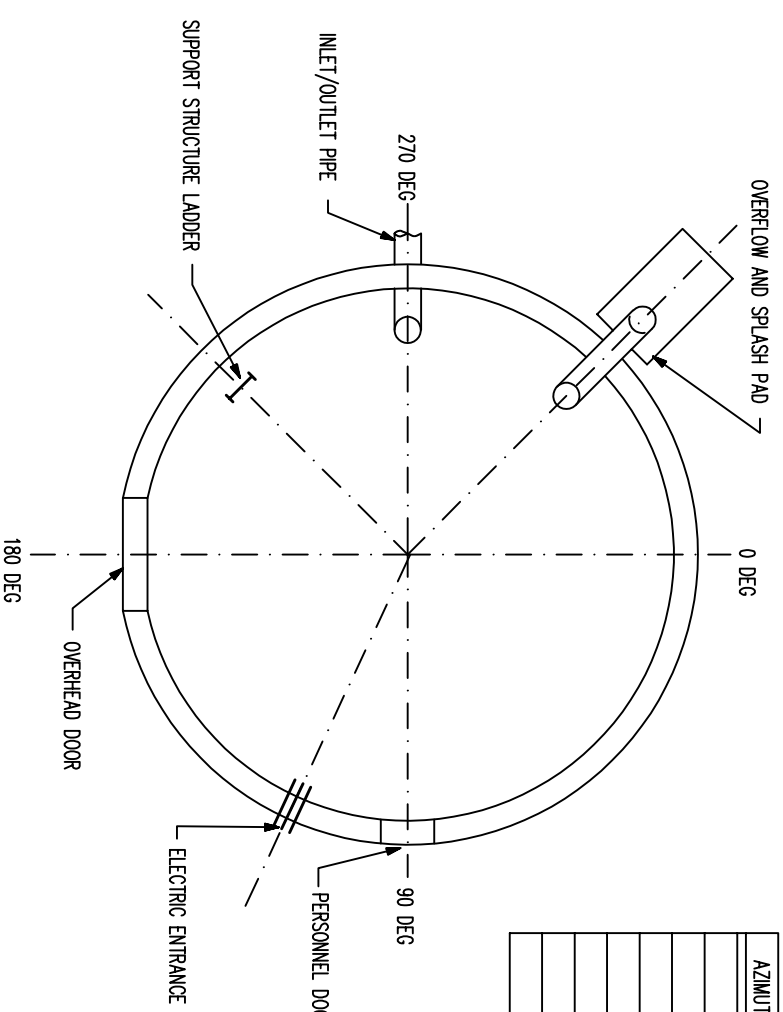
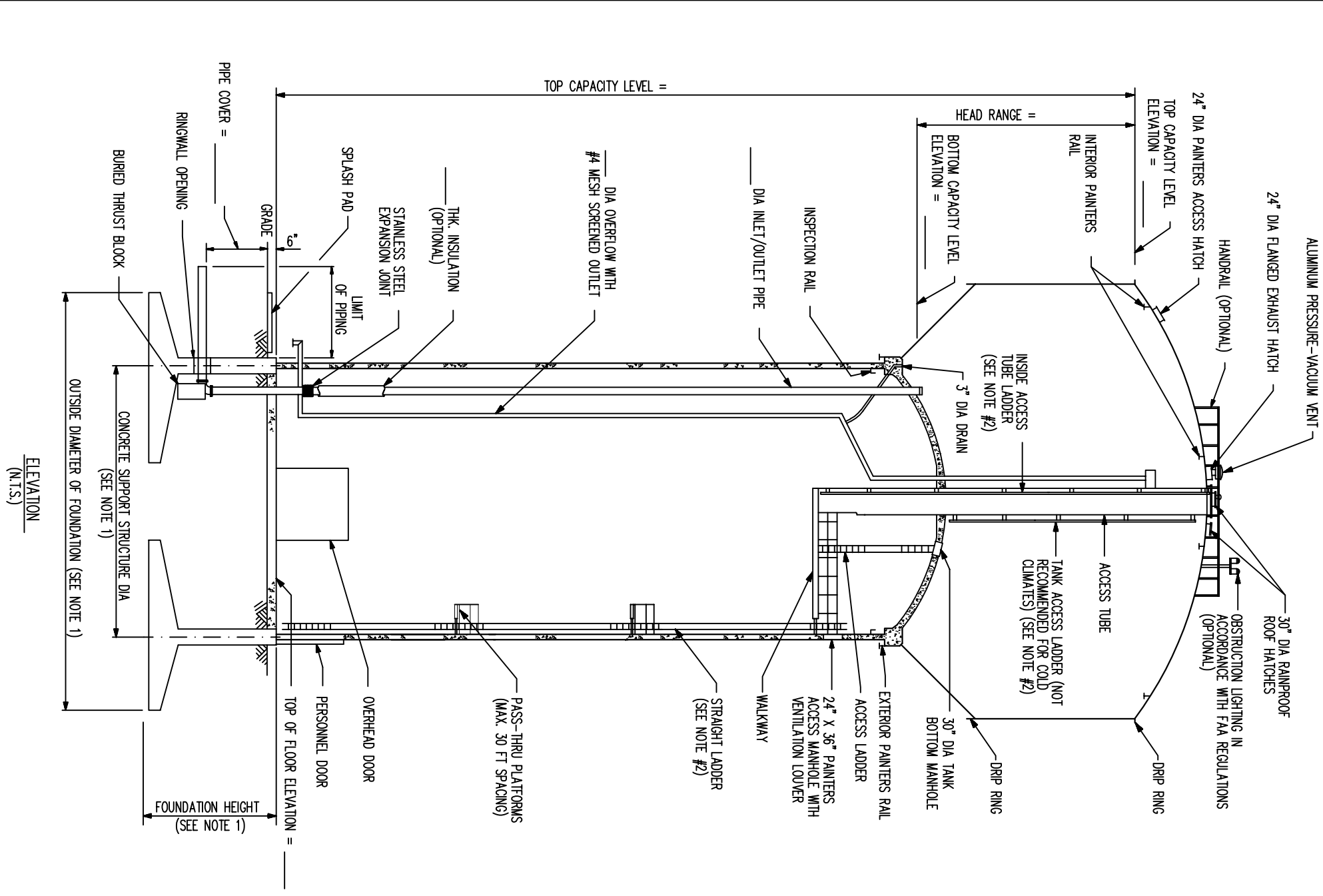

		ELEVATION	
		ELEVATED WATER STORAGE TANK	
COMPOSITE ELEVATED TANK		PROJECT NO. _____	
GALLON CAPACITY _____		BY _____ DATE _____	
CHKD _____ DATE _____	DWG. _____	REV. _____	



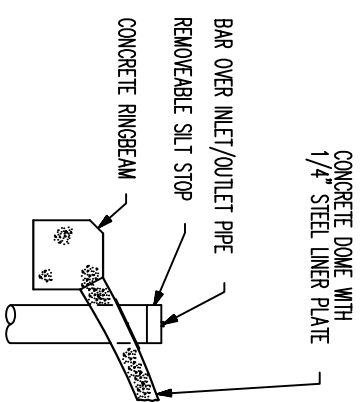
AZIMUTH	DESCRIPTION
	NORTH ARROW
	ELECTRIC ENTRANCE
	OVERFLOW SPLASH PAD
	PERSONNEL DOOR
	INLET/OUTLET PIPE
	SIGN/LOGO

- GENERAL NOTES**
1. CONCRETE SUPPORT STRUCTURE DIAMETER AND DIMENSIONS OF FOUNDATION SHALL BE DETERMINED BY THE TANK CONTRACTOR BASED UPON THE SOIL BEARING SPECIFIED AND THE RECOMMENDATIONS IN THE SOIL REPORT.
 2. A GALVANIZED LADDER SAFETY DEVICE MEETING OSHA STANDARDS SHALL BE PROVIDED WHEN REQUIRED.
 3. SEE SPECIFICATIONS FOR OPTIONAL ACCESSORIES AND ALTERNATE ITEMS.
 4. ALL LADDERS, LANDINGS, AND ASSOCIATED COMPONENTS INSTALLED INSIDE THE CONCRETE SUPPORT STRUCTURE SHALL BE HOT-DIPPED GALVANIZED.

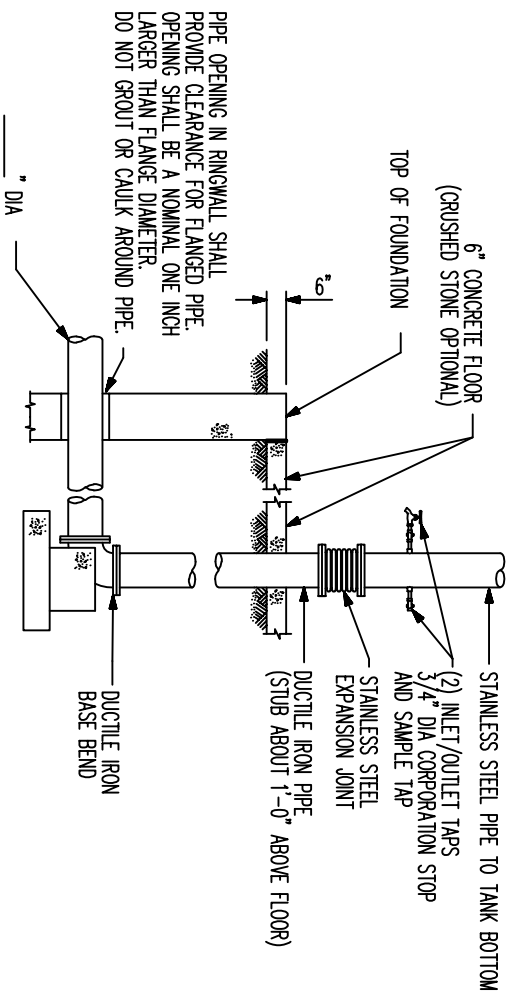


GENERAL PLAN
ELEVATED WATER STORAGE TANK
COMPOSITE ELEVATED TANK
GALLON CAPACITY _____

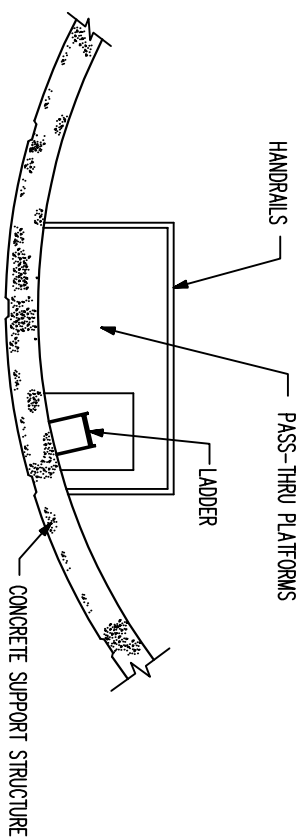
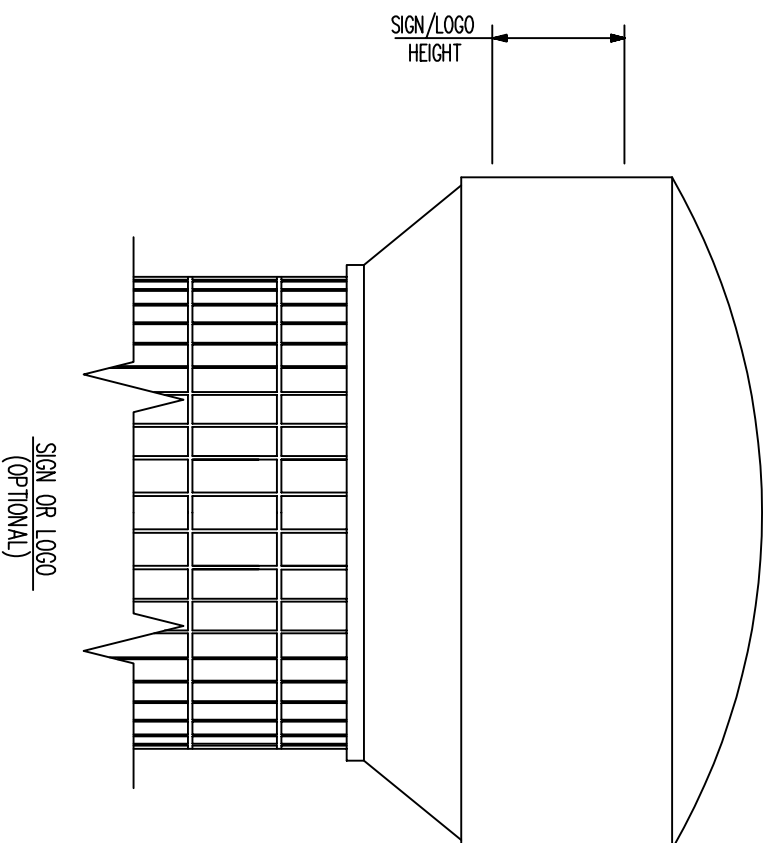
BY _____ DATE _____ CHKD _____ DATE _____	PROJECT NO. _____ DWG. _____ REV. _____
--	--



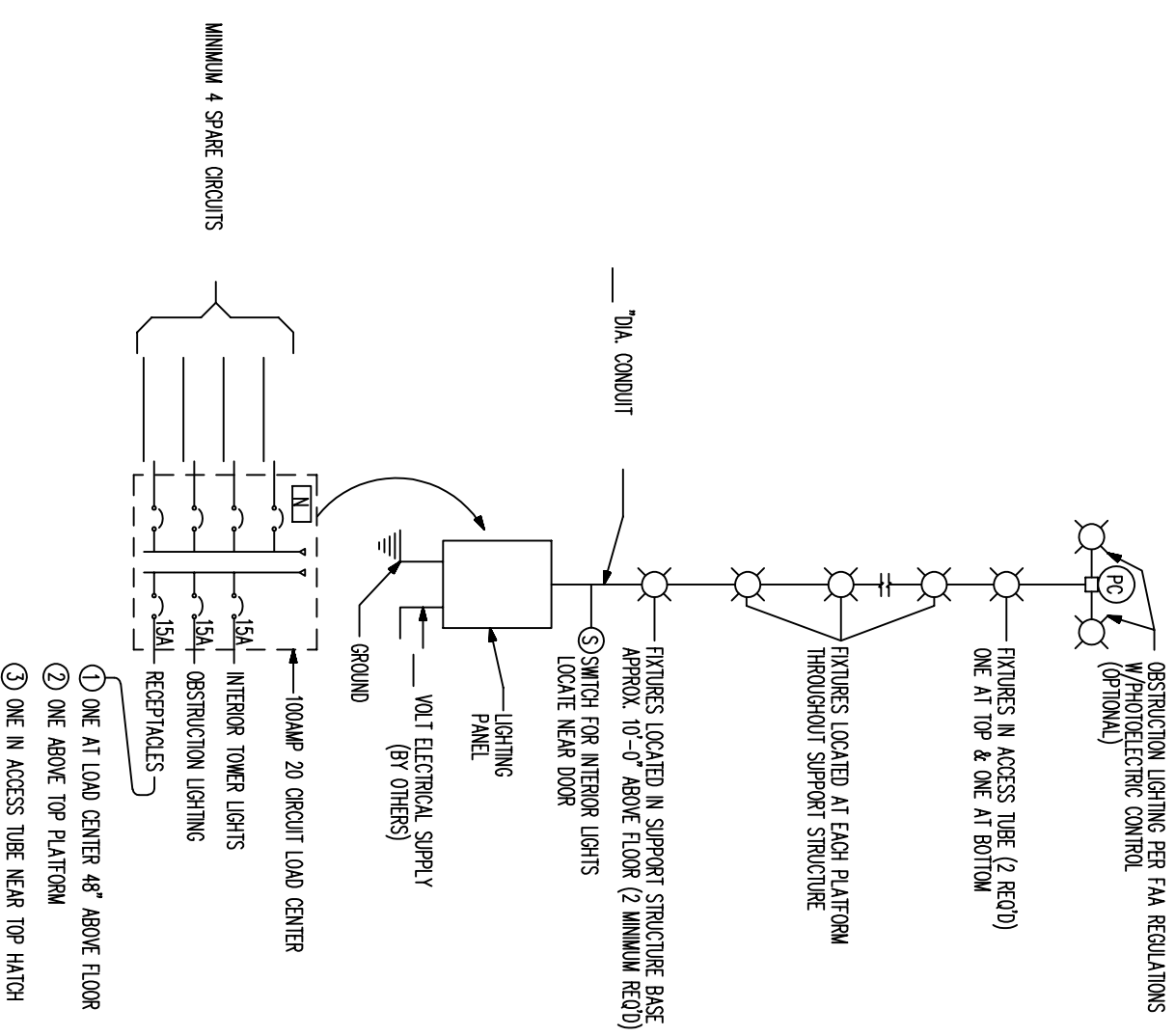
INLET/OUTLET PIPE WITH BAR OVER AND REMOVABLE SILT STOP



BURIED THRUST BLOCK DETAIL (N.I.S.)



TYPICAL PLAN OF LADDER AND INTERMEDIATE PLATFORM



ELECTRICAL SCHEMATIC

CB&I	
DETAILS	
ELEVATED WATER STORAGE TANK	
COMPOSITE ELEVATED TANK	
GALLON CAPACITY	
PROJECT NO.	
BY _____ DATE _____	DWG. _____
CHKD _____ DATE _____	REV. _____