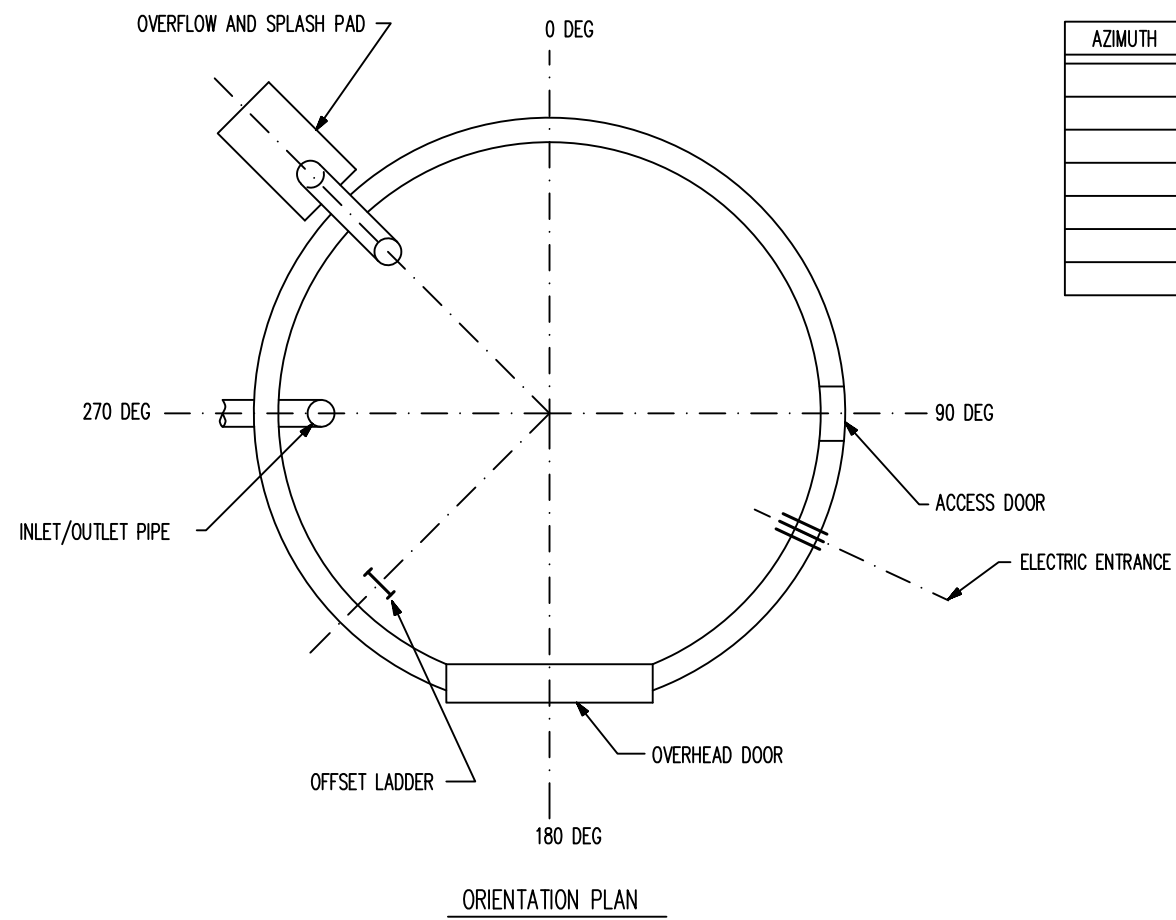
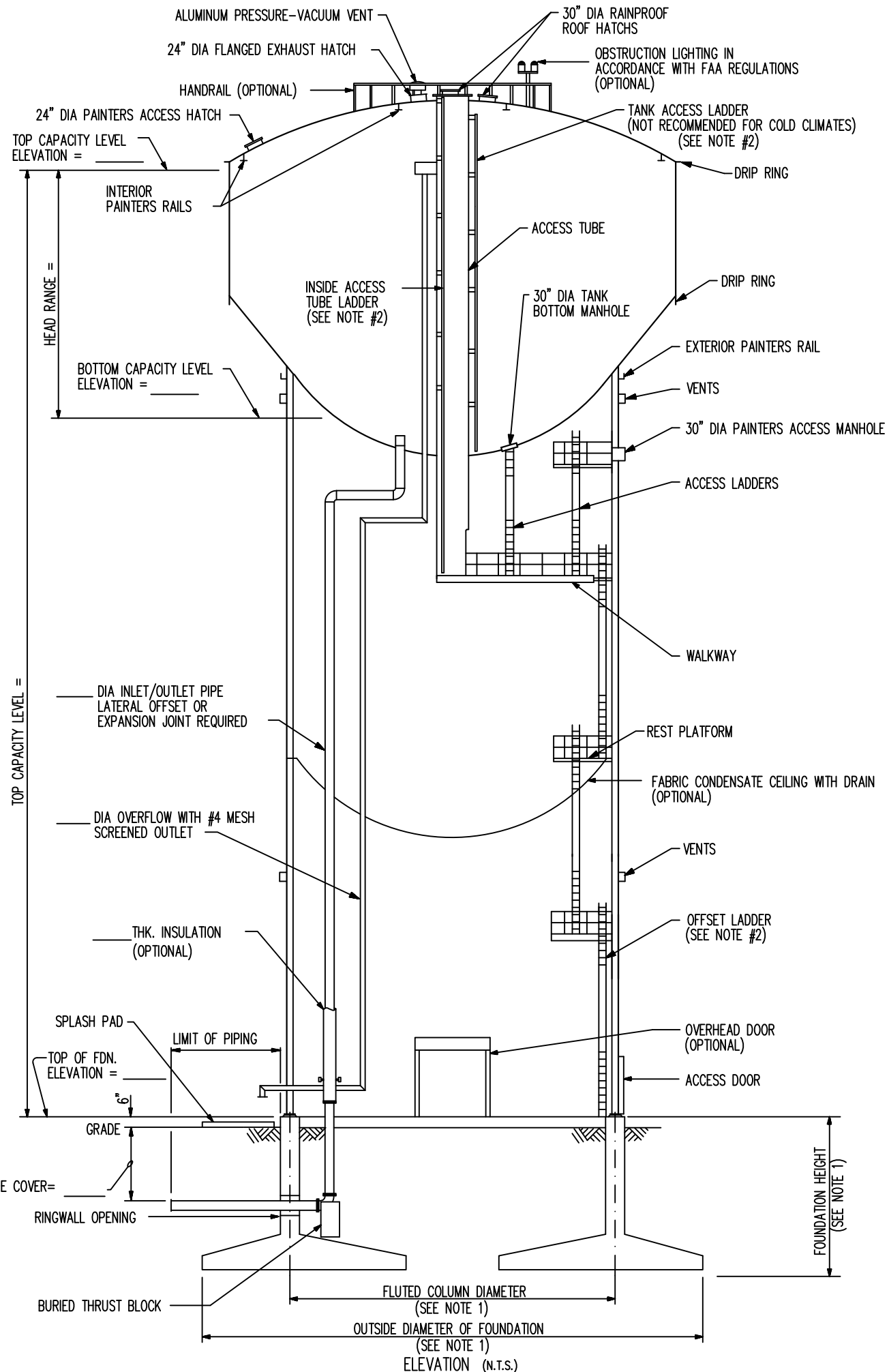


HP-EL-REV1.DGN(JAN/07)

MCDERMOTT		CB&I STORAGE SOLUTIONS	
ELEVATION ELEVATED WATER STORAGE TANK HYDROPILLAR™ _____ GALLON CAPACITY			
BY _____ DATE _____		PROJECT NO. _____	
CHKD _____ DATE _____		DWG. _____	REV. _____



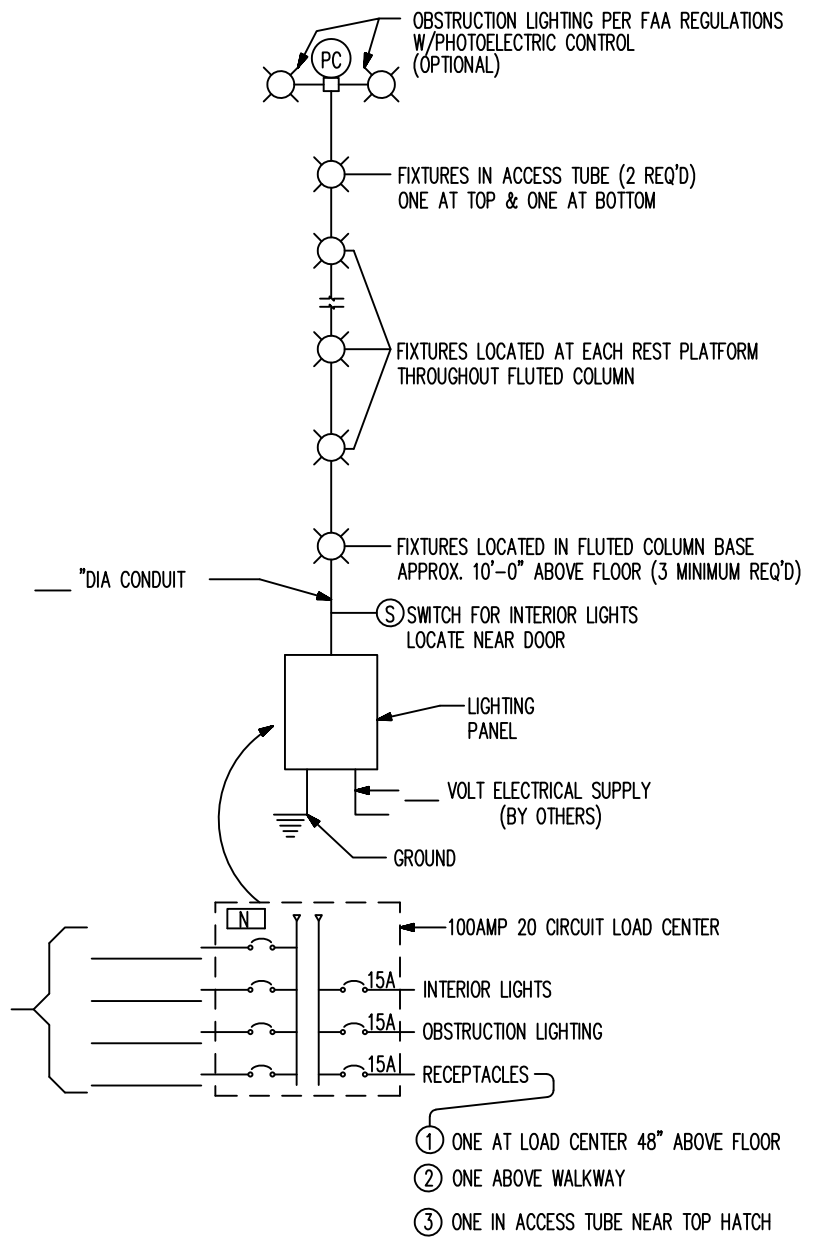
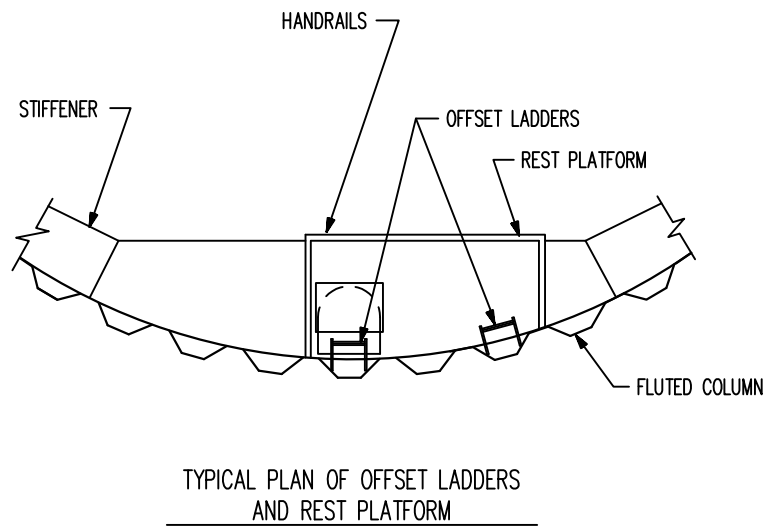
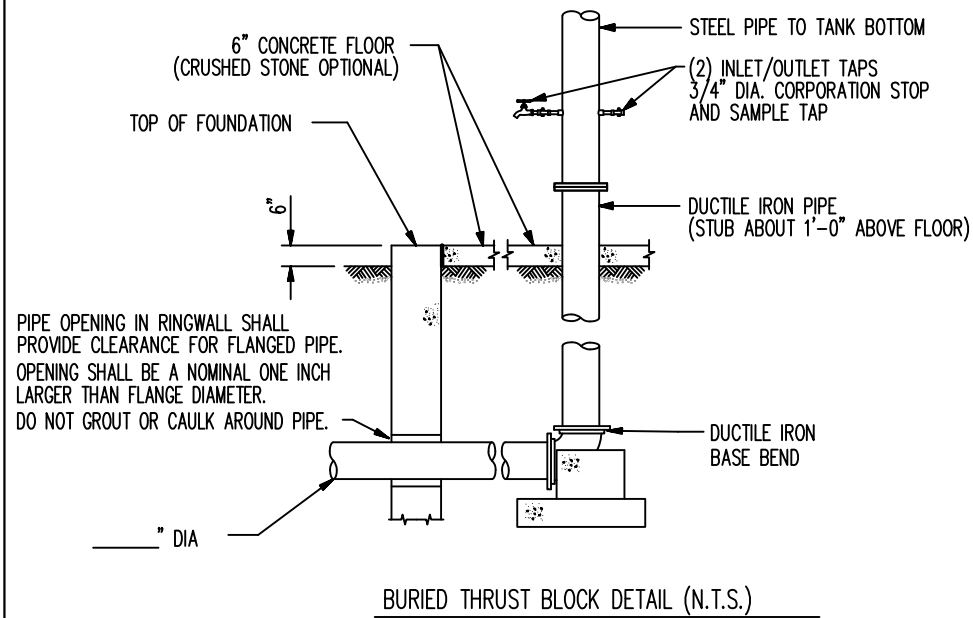
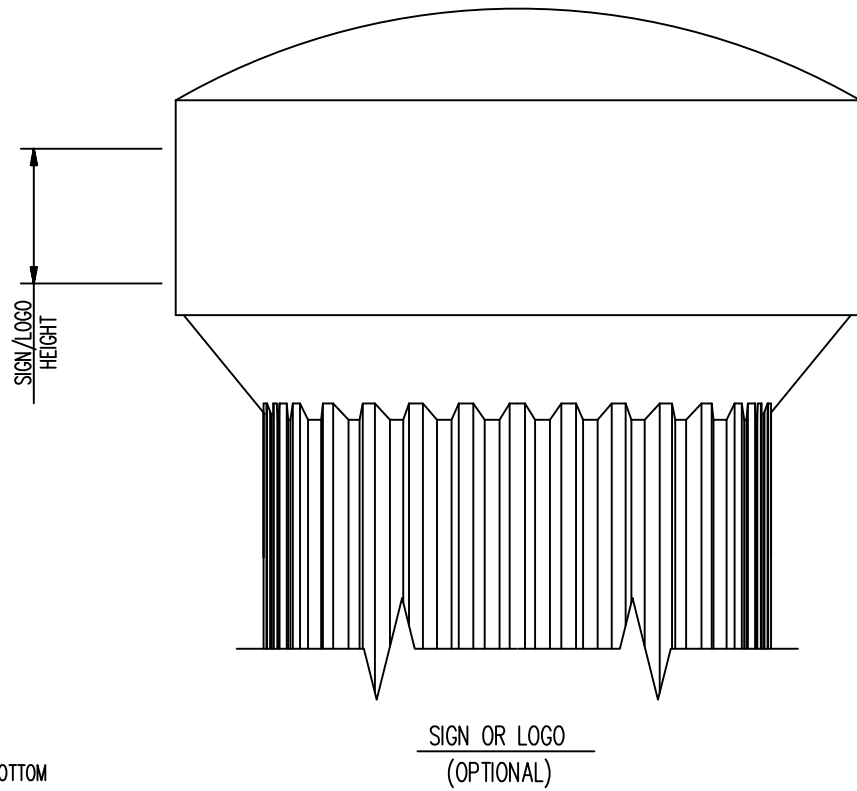
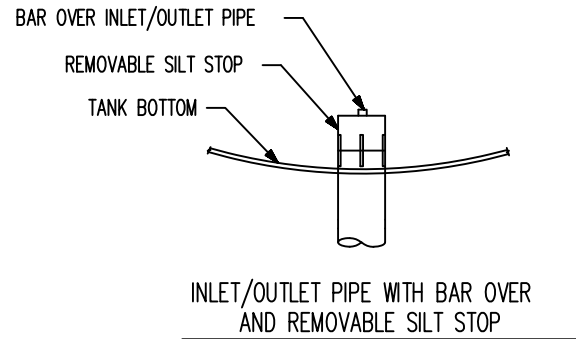
AZIMUTH	DESCRIPTION
	NORTH ARROW
	ELECTRIC ENTRANCE
	OVERFLOW SPLASH PAD
	ACCESS DOOR
	INLET/OUTLET PIPE
	SIGN/LOGO

GENERAL NOTES

1. FLUTED COLUMN DIAMETER AND DIMENSIONS OF FOUNDATION SHALL BE DETERMINED BY THE TANK CONTRACTOR BASED UPON THE INFORMATION IN THE GEOTECHNICAL REPORT.
2. A GALVANIZED LADDER SAFETY DEVICE MEETING OSHA STANDARDS SHALL BE PROVIDED WHEN REQUIRED.
3. SEE SPECIFICATIONS FOR OPTIONAL ACCESSORIES AND ALTERNATE ITEMS.

MCDERMOTT		CB&I STORAGE SOLUTIONS	
GENERAL PLAN ELEVATED WATER STORAGE TANK HYDROPILLAR™ _____ GALLON CAPACITY			
BY _____ DATE _____		PROJECT NO. _____	
CHKD _____ DATE _____		DWG. _____	REV. _____

HP-GP-REV4.DGN (JAN/07)



ELECTRICAL SCHEMATIC

HP-DTL-REV4.DGN(JAN/07)

MCDERMOTT		CB&I STORAGE SOLUTIONS	
DETAILS ELEVATED WATER STORAGE TANK HYDROPILLAR™ _____ GALLON CAPACITY			
BY _____ DATE _____		PROJECT NO. _____	
CHKD _____ DATE _____		DWG. _____	REV. _____